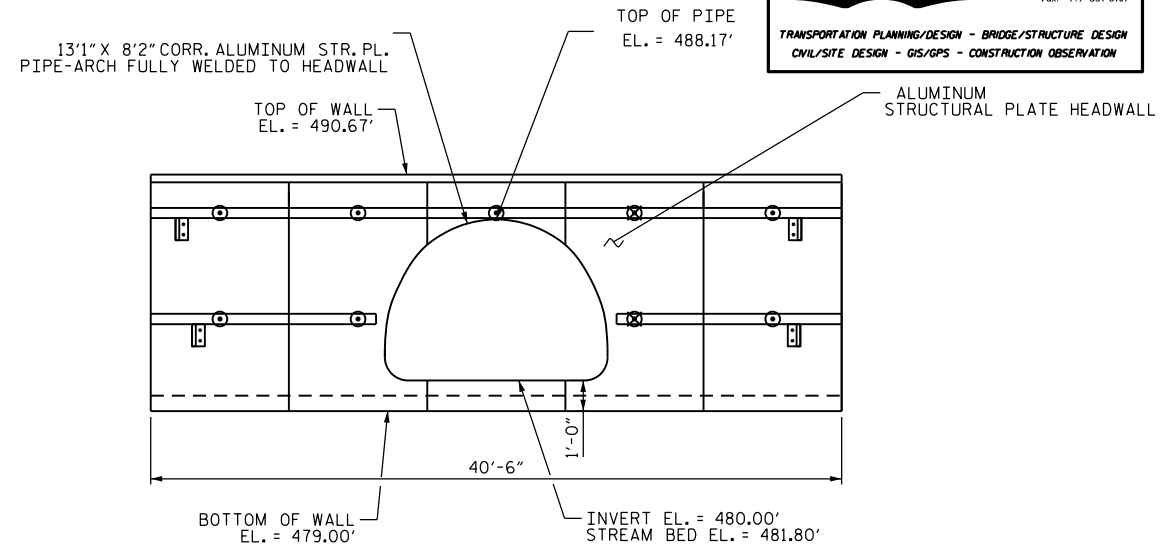


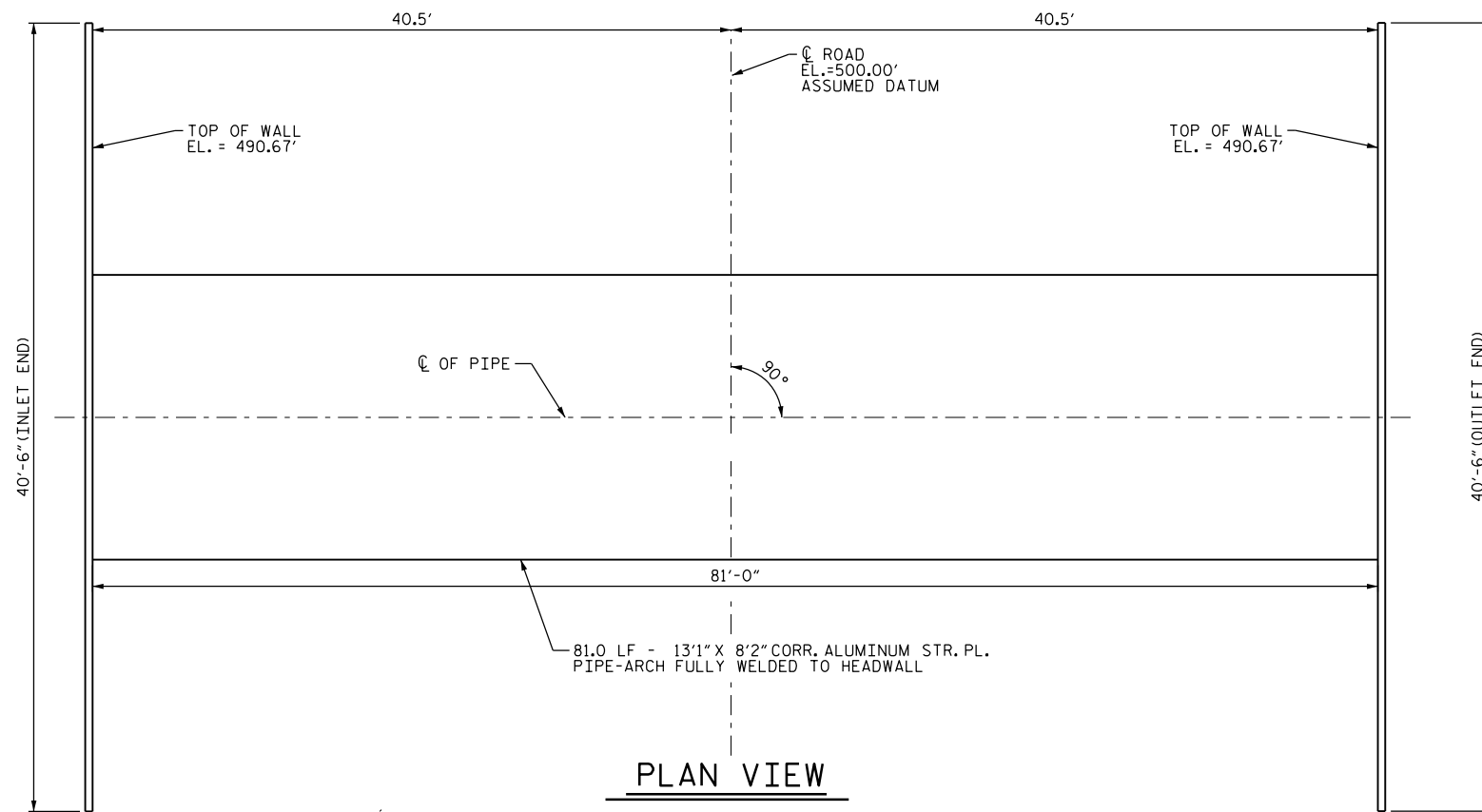
**INLET HEADWALL ELEVATION**

(not to scale)



**OUTLET HEADWALL ELEVATION**

(not to scale)



**PLAN VIEW**

(not to scale)

BRUNSWICK COUNTY  
 WBS 15403.1010018  
 SITE CODE 15403.1010018  
 NC 133  
 34.0394/-78.0032  
 EXISTING 3@ 48" RCP  
 PROPOSED 1@ 13'1" X 8'2" AL. STR. PL. PIPE-ARCH W/HW